

VS
COR

PRODUCT INFORMATION

VS CORNERSTONE[®] MAXX

THE FINEST SOLUTION FOR GETTING THE MOST OUT OF EVERY CORNER

What is it that you want when you open a corner cabinet? You certainly don't want to have to crawl into it. Or to have the tray slide out towards you only to have it block the neighbouring cabinet. We could imagine that

you want VS CORNERSTONE® Maxx. The innovative system delivers all of the contents to you directly in front of the cupboard, without blocking the neighbouring cabinet. The perfect solution for having a clear view, easy access

and tidy storage. The VS CORNERSTONE® Maxx with its aesthetic appeal and functional design has won multiple awards.



▲ The German Design Award is given to winners whose ideas and solutions are pioneering in the German and international design landscape.



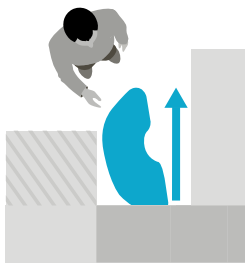
▲ With the Universal Design Awards, companies are honoured for products which are easy and intuitive and can be used by all generations.



A NEW DIMENSION OF USE

Here is where you will find all the advantages you have with VS CORNERSTONE® Maxx at a glance. A corner cabinet solution has never been so easy and convenient.

Maximum comfort for all users



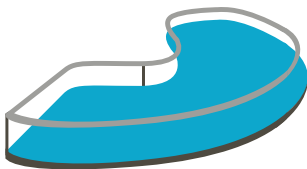
The content comes out directly in front of the cupboard, without blocking the neighbouring cabinet, for easily putting away dishes straight out of the dishwasher. Also for barrier-free access.



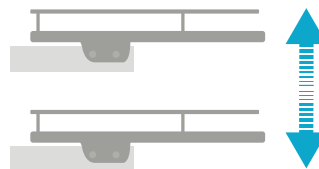
The trays have more usable surface area and maximise storage space. They can be moved independently of each other for optimal access.



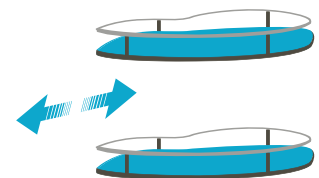
Each tray can hold up to 25 kg of weight – enabling the storage of large stacks of plates or heavy pots and pans.



The floating design without any visible contact points provides a clean appearance within the cupboard.



VS CORNERSTONE® Maxx has fully adjustable trays, even after installation. Providing flexibility for all size and shapes of those items that require storage.

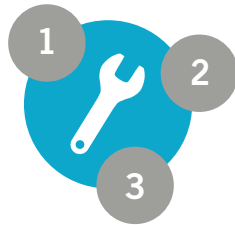


Effortless and soft opening and closing thanks to automatic, movement-damping trays.

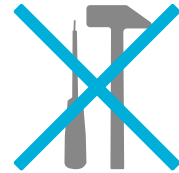
Maximum comfort of installation for all manufacturers



Fewer parts – less warehousing: the system consists of just three parts for all cupboard sizes.



Saves a high amount of time thanks to three installation steps.



Toolless installation of the trays on the centre pole with EasyFit.



PAM
POWER
ASSISTED
MOVEMENT

Accessing and returning trays is made simple for the user, thanks to a two-sided power mechanism.

INDIVIDUALITY FOR EVERYONE

Style is a matter of taste. And because we know this, we offer VS CORNERSTONE® Maxx with two different edge designs and in various colours. So you can find the style that best matches your kitchen.

Design borders



VS CORNERSTONE® Maxx Planero



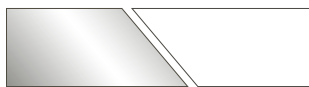
VS CORNERSTONE® Maxx Premea

Colour combinations (sides \ bottom)

Planero



Lava Grey \ Lava Grey



Silver \ White

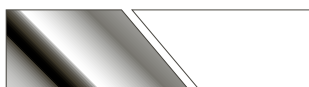


Silver \ Grey

Premea



Lava Grey \ Lava Grey



Chrome \ White



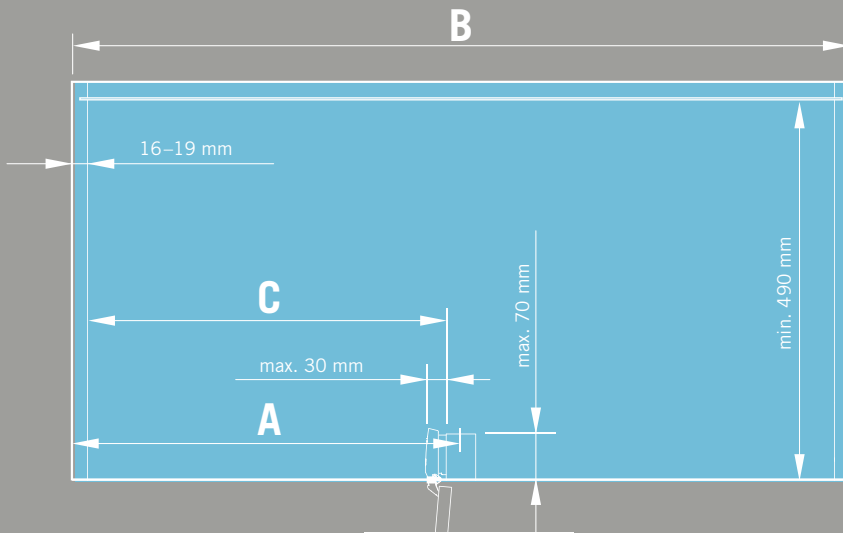
Silver \ Grey



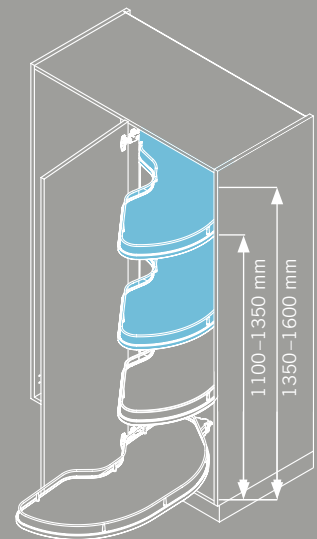
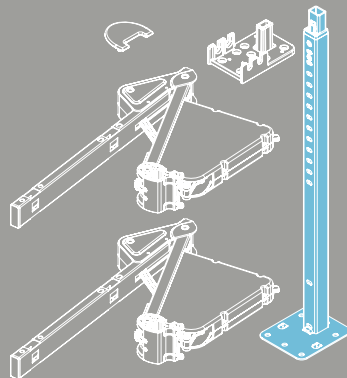
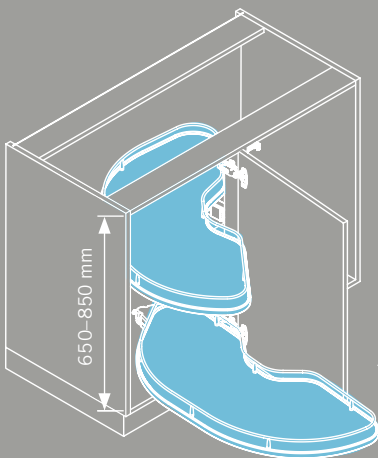
Silver \ Speckled Grey

FITS INTO ANY CORNER

Dimensions



A	B min.	C
400	800	min. 361
450	900	min. 411
500	1000	min. 461
600	1000	min. 561



VS CORNERSTONE® Maxx can be installed on the left or right and is also available with three or four trays.

Three trays: The centre pole for inside the cupboard has a height of 1,100 mm, extendable to 1,350 mm.

Four trays: The centre pole for inside the cupboard has a height of 1,350 mm, extendable to 1,600 mm.



FURTHER INFORMATION AS WELL AS INSTALLATION INSTRUCTIONS AND VIDEOS:

WWW.VAUTH-SAGEL.COM

CONTACT: VS@VAUTH-SAGEL.COM

LAST UPDATED MAY 2024

© BY VAUTH-SAGEL | ALL RIGHTS RESERVED

