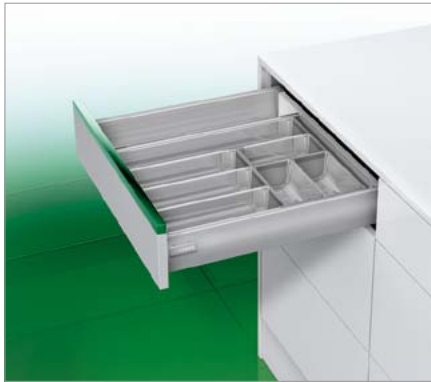
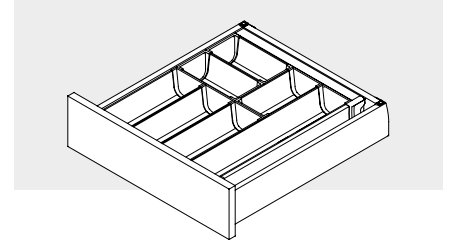


# DWD XP ORGANISING SYSTEMS

## Magic Sorto

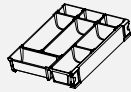


- Perfect organisation of drawers for cutlery and small sundry items
- High-quality stainless steel trays
- LGA certified, hygiene tested, non-toxic and dishwasher-proof
- Available in 3 colours
- Modular extension possible
- For nominal length of 450 to 550 mm
- Without frame
- Tray arrangement variable



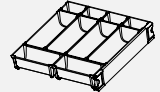
### ORDER INFORMATION

#### 1 Magic Sorto set B3



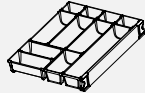
NL	Aluminium metallic	White	Stainless steel
450	F092075618	F092077380	-
500	F092075619	F092116167	F092075621
550	F092075623	-	-

#### 2 Magic Sorto set B4



NL	Aluminium metallic	White	Stainless steel
450	F092075629	F092077381	-

#### 3 Magic Sorto set B4 S



NL	Aluminium metallic	White	Stainless steel
500	F092075635	F092076846	F092075637
550	F092075639	-	-

#### 4 Magic Sorto divider rail

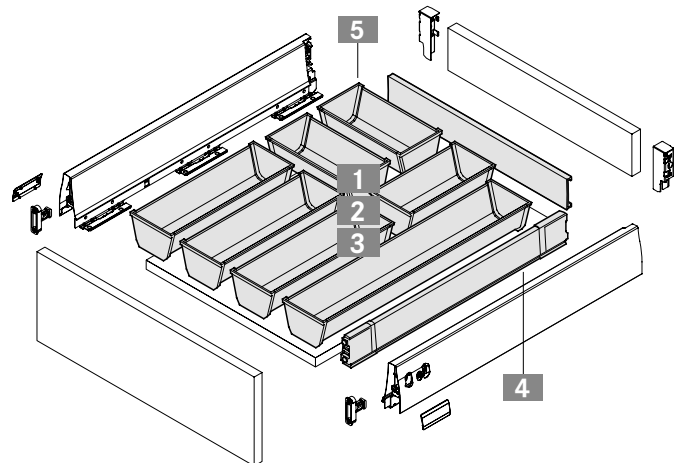


NL	Aluminium metallic	White	
500	F092075648	F092077383	
550	F092075653	F092077384	

#### 5 Magic Sorto trays



L	Aluminium grey	White	
180	F092075663	F092077385	
270	F092075666	F092077386	
450	F092075669	F092077387	



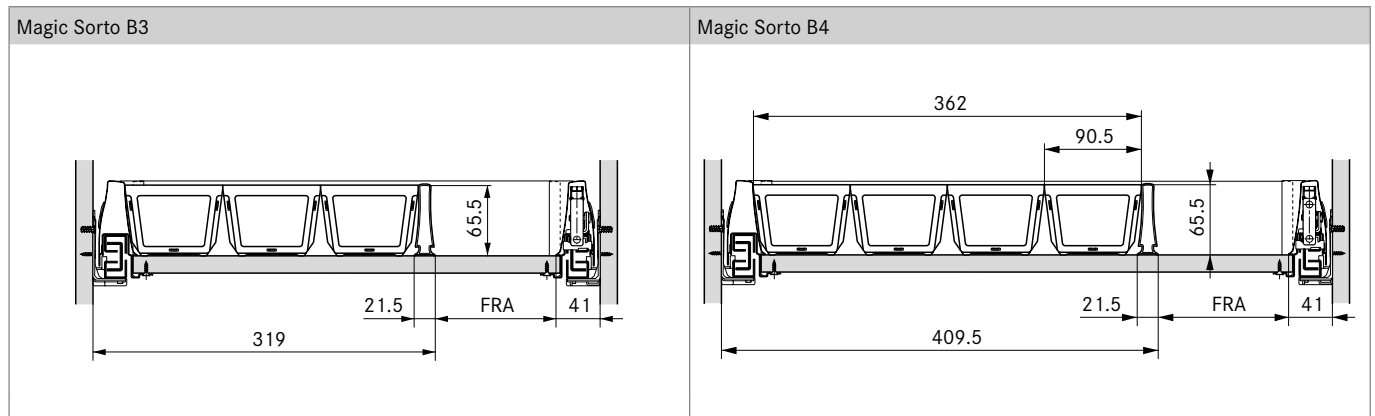
DWD XP drawer H95	540
DWD XP drawer H127	562

DWD XP Tipmatic Plus	582
Technical information	584

DWD XP Sensomatic	613
Installation technology	757

## INSTALLATION INFORMATION

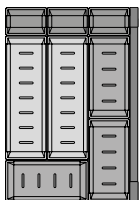
All dimensions in millimetres



## LAYOUT OPTIONS

### Magic Sorto set NL 450 B3

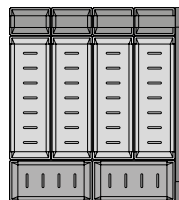
NL 450 and cabinet widths from 450 mm



consisting of:  
2 trays 270 x 90 mm  
3 trays 180 x 90 mm  
3 filler trays 60 mm  
1 spring-loaded divider rail

### Magic Sorto set NL 450 B4

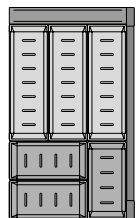
NL 450 and cabinet widths from 600 mm



consisting of:  
4 trays 270 x 90 mm  
2 trays 180 x 90 mm  
4 filler trays 60 mm  
1 spring-loaded divider rail

### Magic Sorto set NL 500 B3

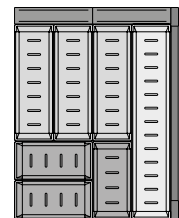
NL 500 and cabinet widths from 450 mm



consisting of:  
3 trays 270 x 90 mm  
3 trays 180 x 90 mm  
1 spacing bar 270 mm  
1 spring-loaded divider rail

### Magic Sorto set NL 500 B4S

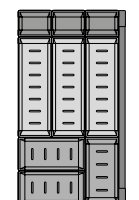
NL 500 and cabinet widths from 600 mm



consisting of:  
1 trays 450 x 90 mm  
3 trays 270 x 90 mm  
3 trays 180 x 90 mm  
2 spacing bars 180 mm  
1 spring-loaded divider rail

### Magic Sorto set NL 550 B3

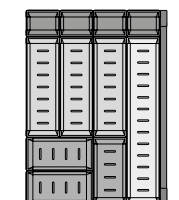
NL 550 and cabinet widths from 450 mm



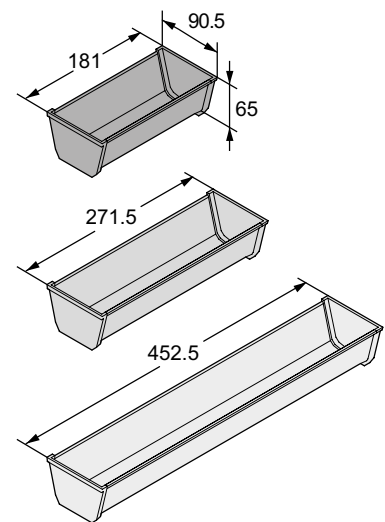
consisting of:  
3 trays 270 x 90 mm  
3 trays 180 x 90 mm  
3 filler trays 70 mm  
1 spring-loaded divider rail

### Magic Sorto set NL 550 B4S

NL 550 and cabinet widths from 600 mm



consisting of:  
1 tray 450 x 90 mm  
3 trays 270 x 90 mm  
3 trays 180 x 90 mm  
4 filler trays 70 mm  
1 spring-loaded divider rail



3

## LEGEND

FRA Free space  
L Length  
NL Nominal length