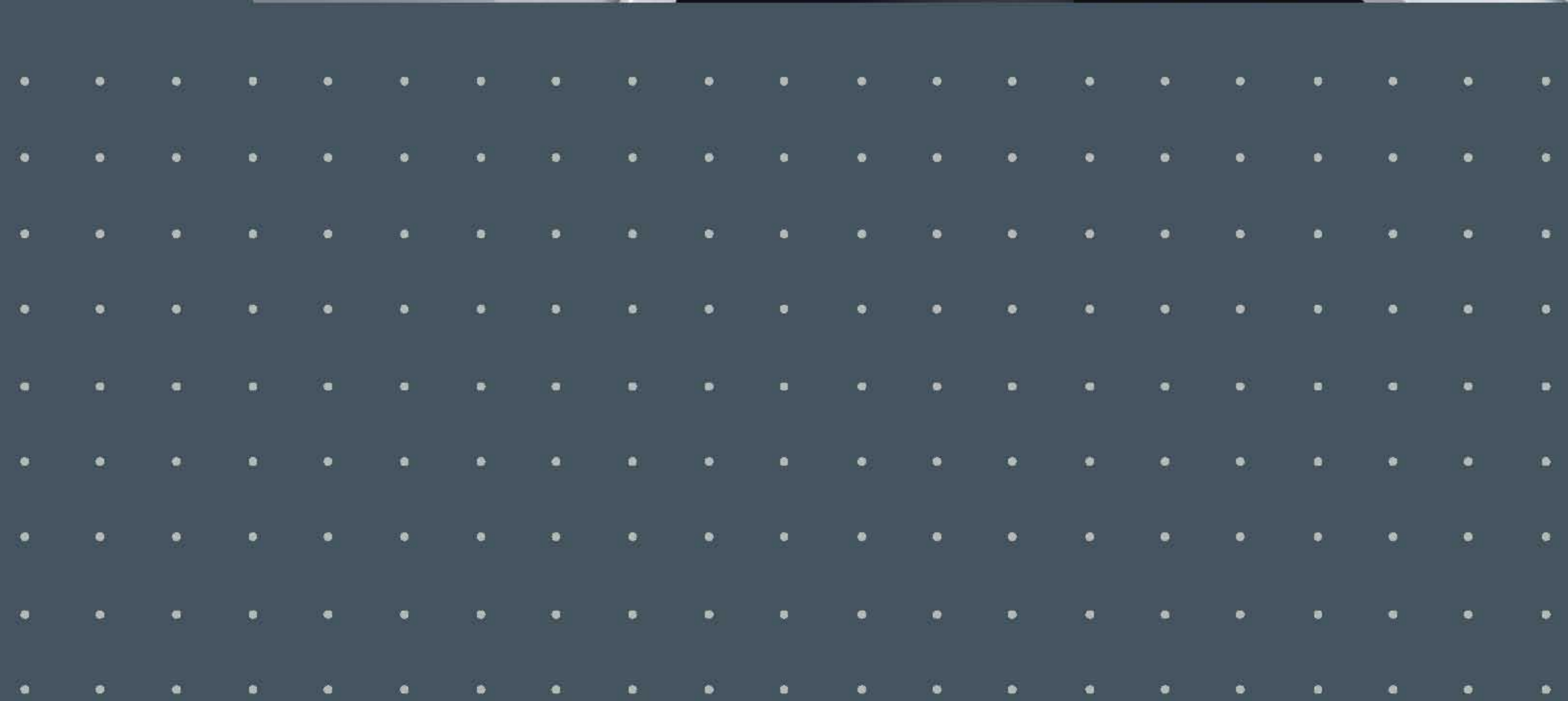
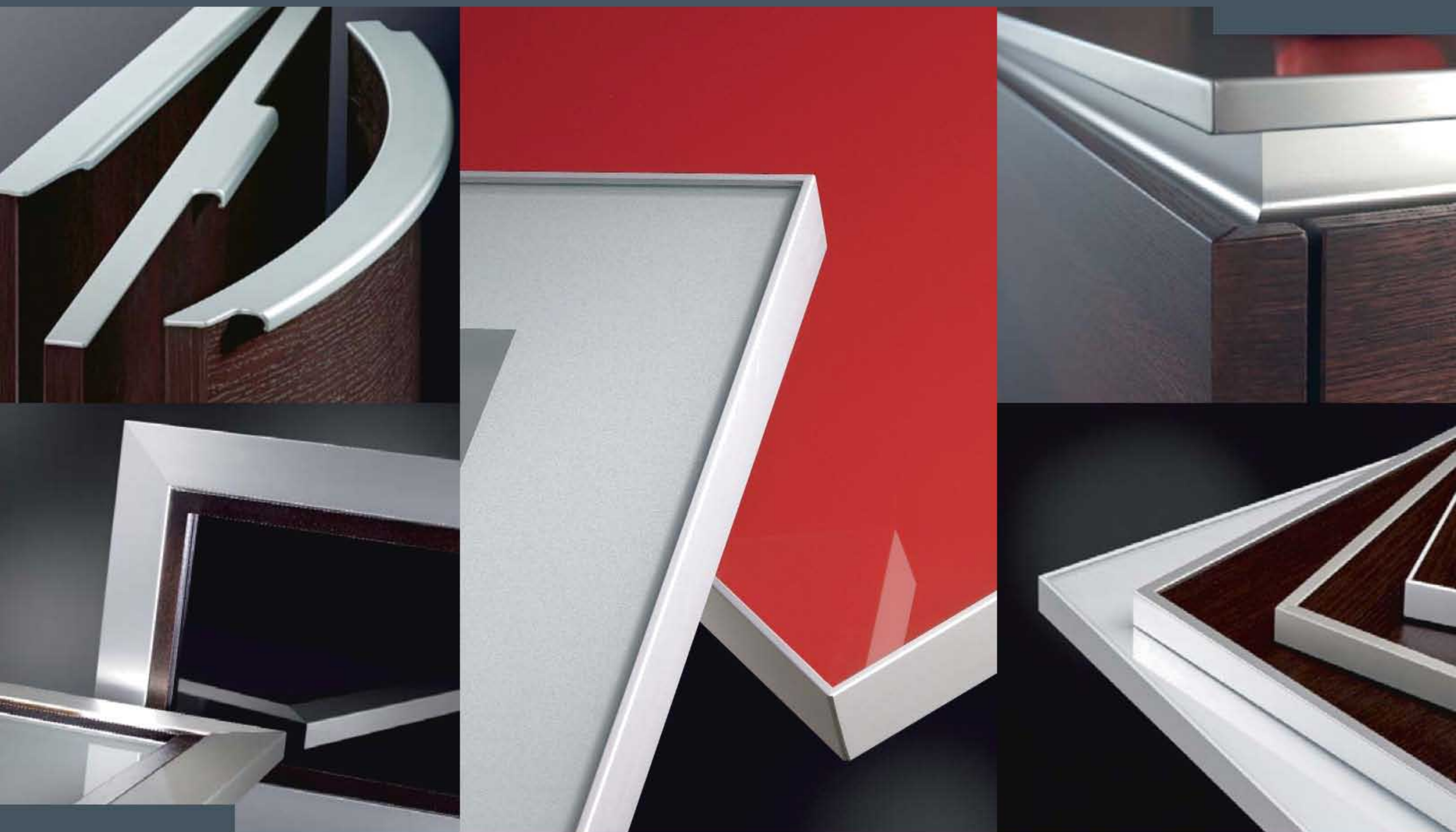
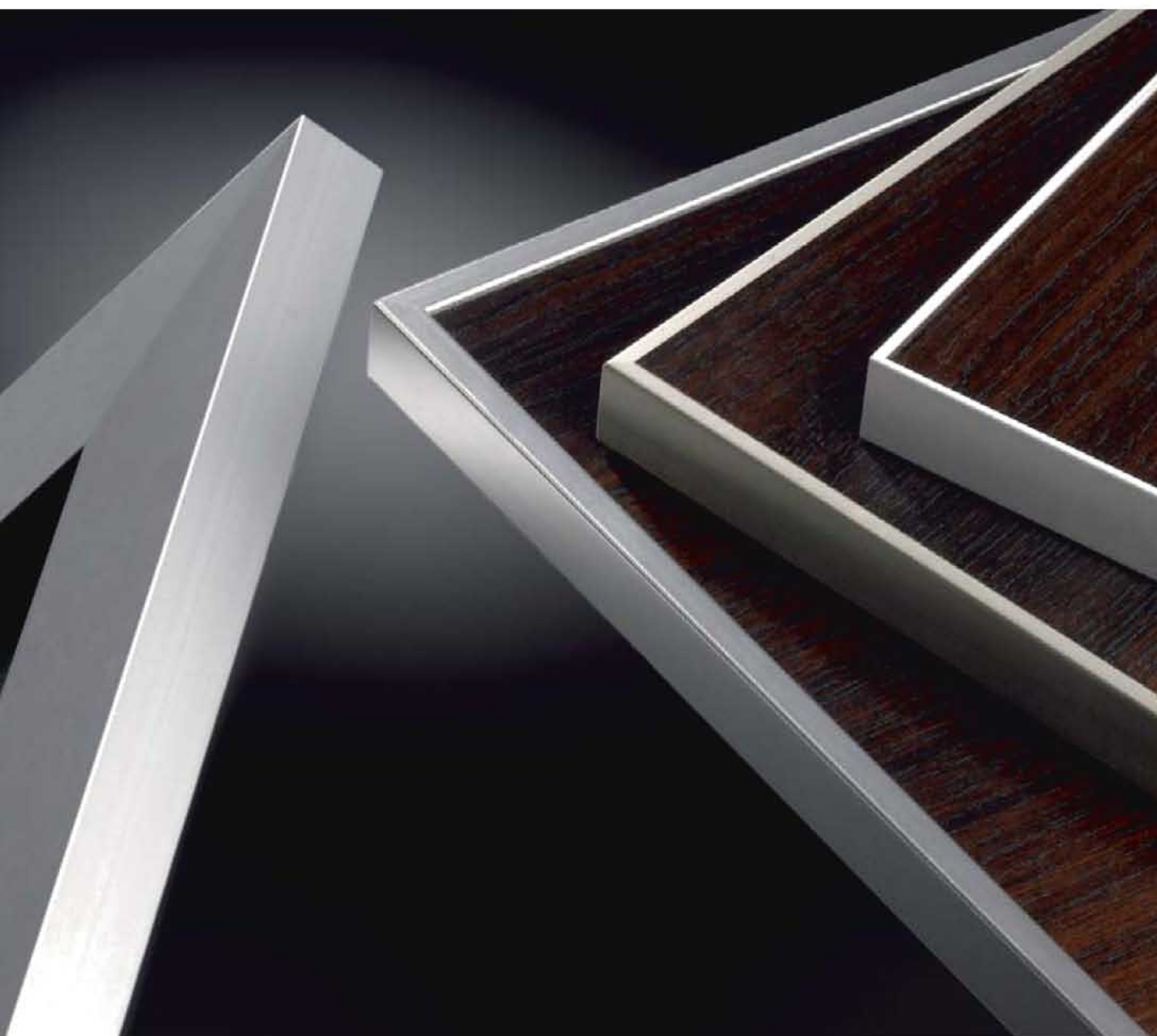


The Aluminium Made-to-Measure Range for Furniture



Front frame profiles



The narrow aluminium front frame profiles with an 8 mm face width and a combination of wood and glass create a well-balanced overall impression of quality and elegance. The system is distinguished by precision-fit mitred lines. Corner cleats can be inserted into the hollow chamber in the profile to avoid misaligned mitres.

The front framing profile is a successful enhancement based on an MDF frame which holds the aluminium front frame. The glass has a mesh-like design in the visible part, and the glass can also be lacquered on the reverse side.

Depending on production requirements, the profiles can be supplied as bars or made to measure.

Surface finish:

E6/EV1, silver anodised
stainless steel anodised
E3/SG/EV1 polished silver

Pack sizes:

Prefabricated or stock lengths

Stock length:

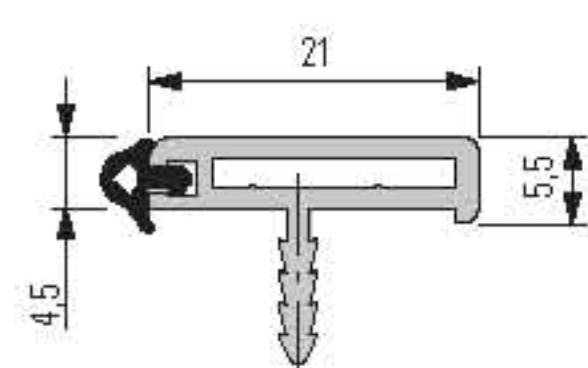
5000 mm

Minimum order quantity:

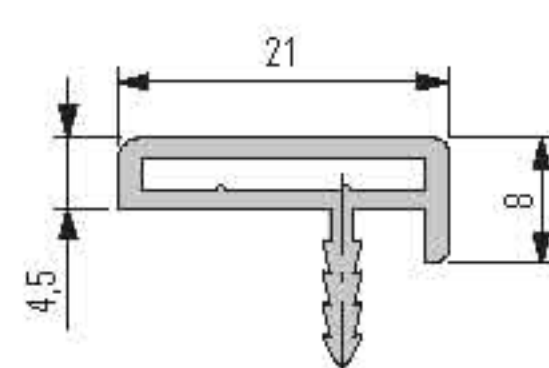
100 per fixed length or 100 m

Benefits:

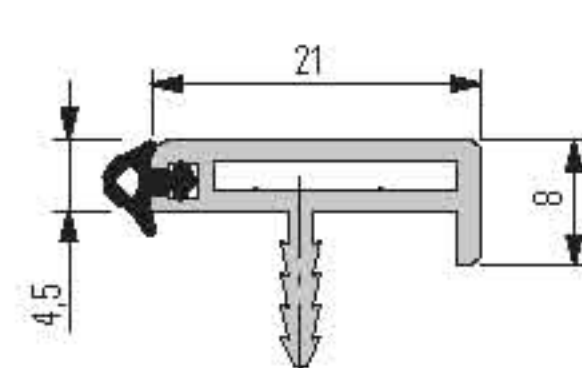
- 8 mm face width allows combination with glazing frames
- Corner cleats that can be inserted into the profile hollow chamber avoid misaligned mitres



Profile 902 362



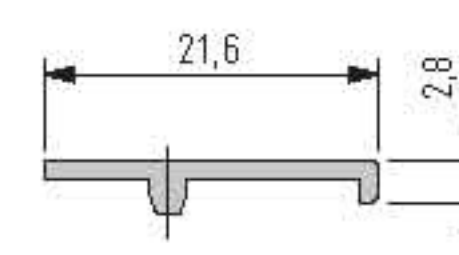
Profile 902 361



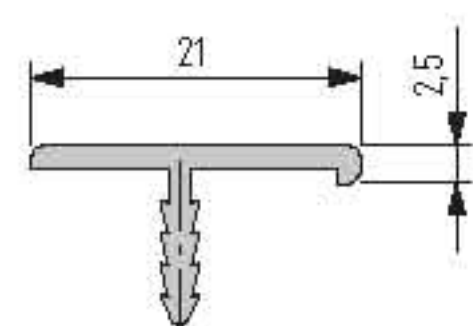
Profile 902 360



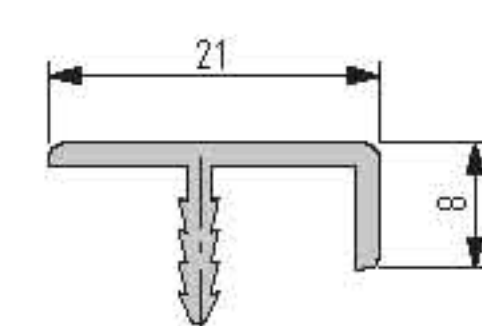
Gasket for profile
902 362 / 902 360
551 627



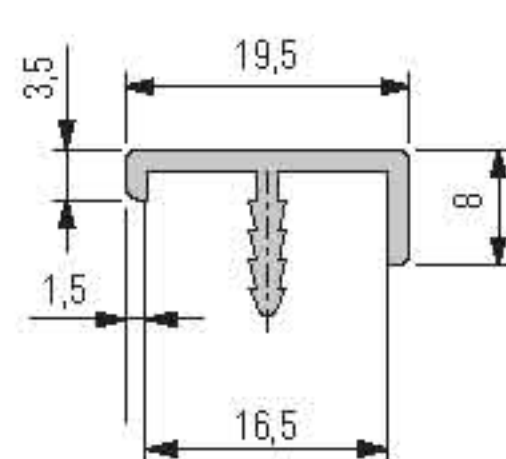
Profile 901 012



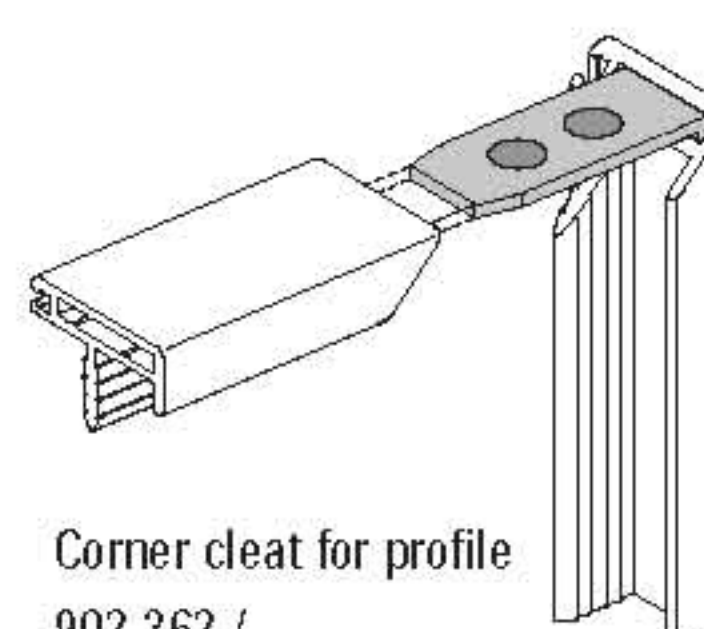
Profile 901 193



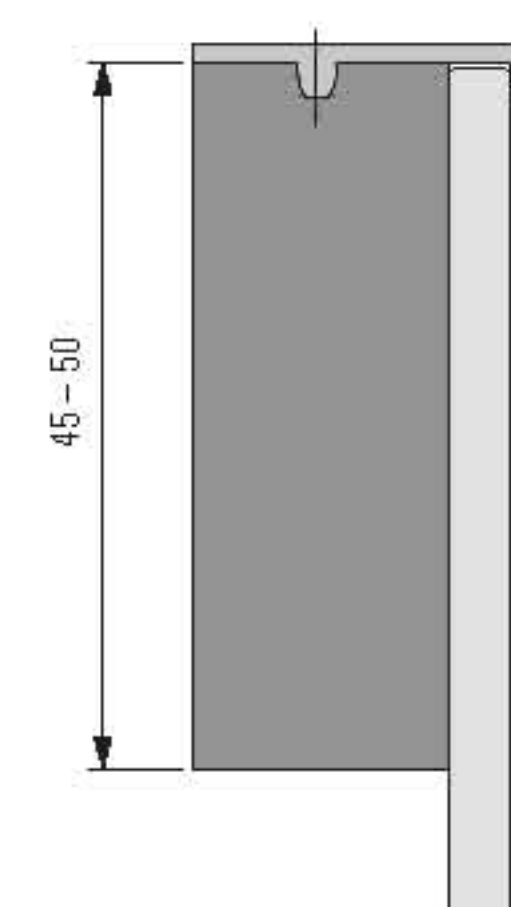
Profile 901 194



Profile 901 273



Corner cleat for profile
902 362 /
902 360 / 902 361
550 544



Face width 901 012