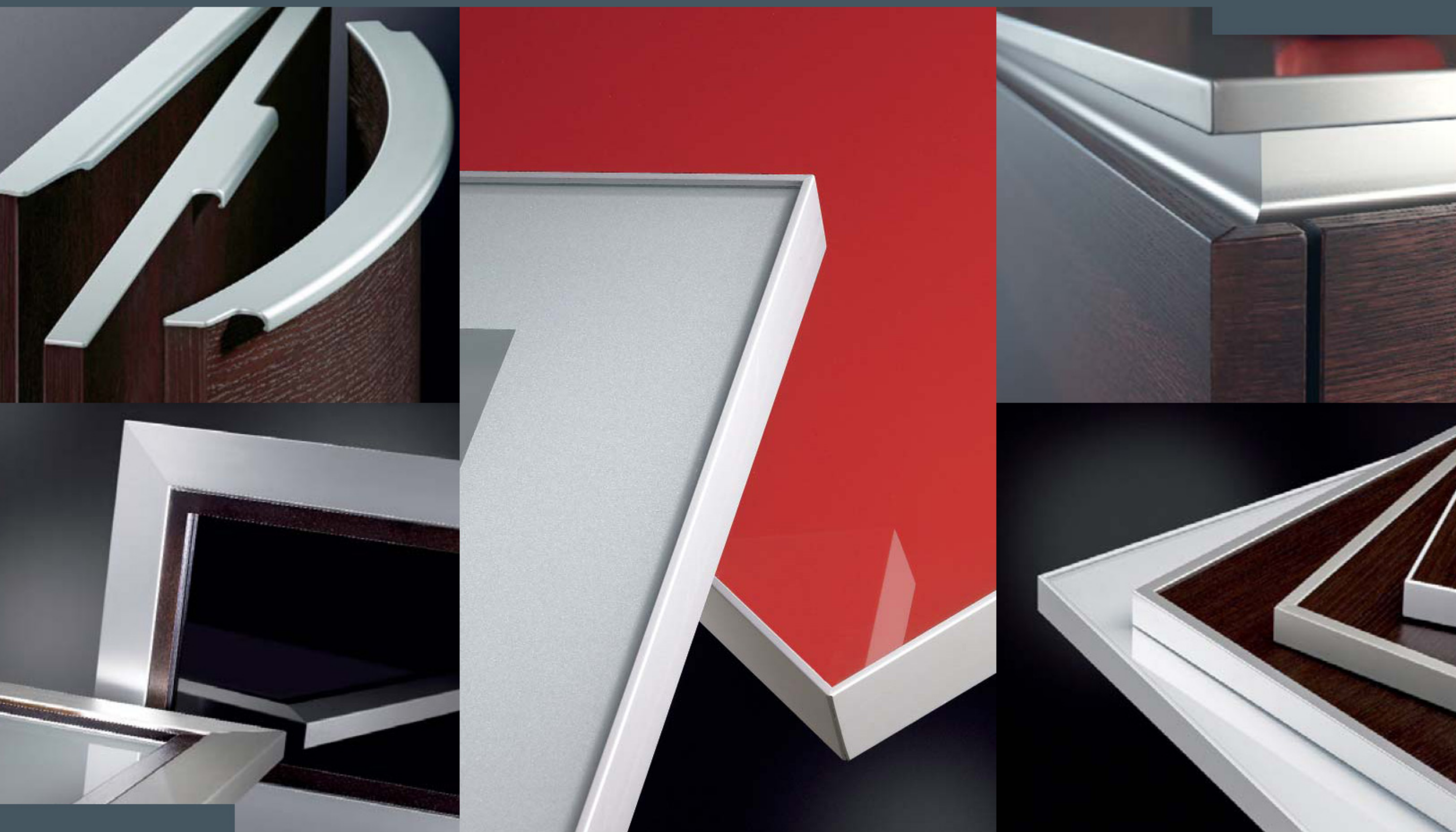


The Aluminium Made-to-Measure Range for Furniture



Aluminium glazing frames



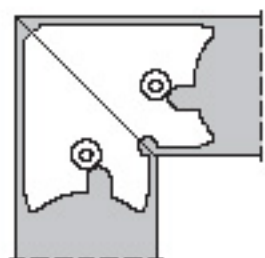
Surface finish:
 E6/EV1, silver anodised
 stainless steel anodised
 Pack sizes:
 Prefabricated or stock lengths
 Minimum order quantity:
 50 prefabricated frame profiles or 100 m

Aluminium glazing frame systems with a variety of profile shapes add a touch of elegance to kitchens, living rooms, bathrooms and offices. The new combination of glass, anodised frame and an additional timber inlay as a stylish design feature

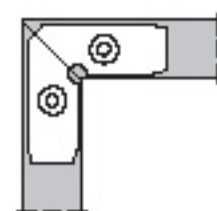
is an attractive addition to the system. The frames are delivered complete with glass as ready-to-install or made-to-measure profile sections with precision-fit mitre cuts, recesses and drill holes.

Benefits:

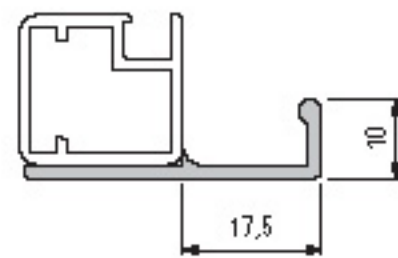
- Can be delivered ready to install with glass, mitre cuts and recesses
- Available as top-hung, side-hung, folding or sliding door



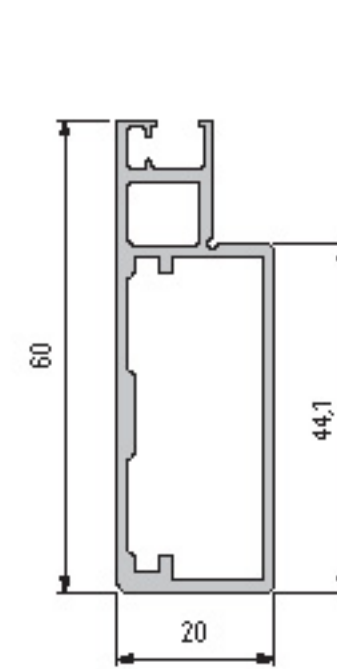
Corner cleats 550 764.98



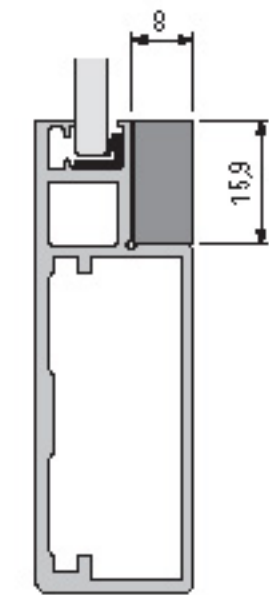
Corner cleats 550 484.98



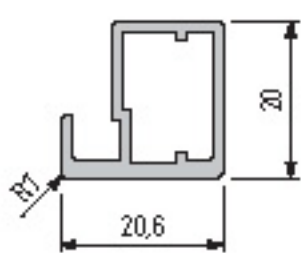
Pull grip 901 222



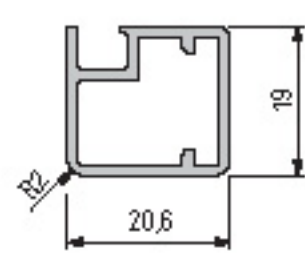
Profile 923 144



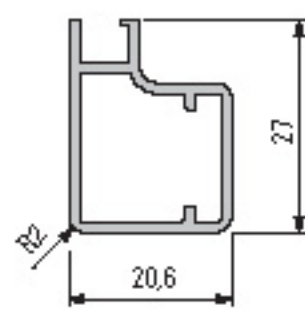
Face width 923 144



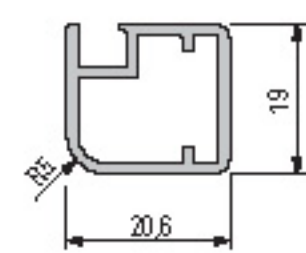
Profile 901 081



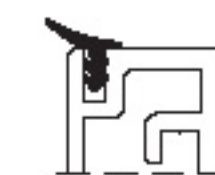
Profile 901 078



Profile 901 092



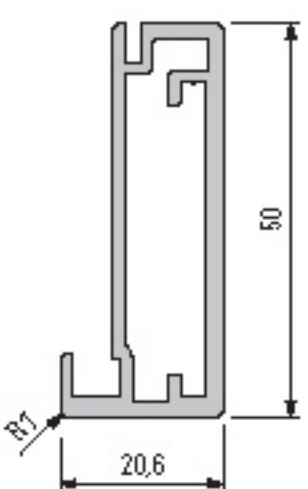
Profile 923 118



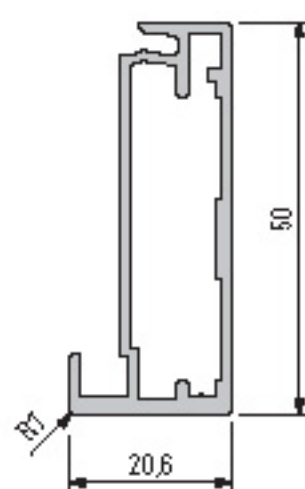
Moisture seal 532 837
 For profile 923 087



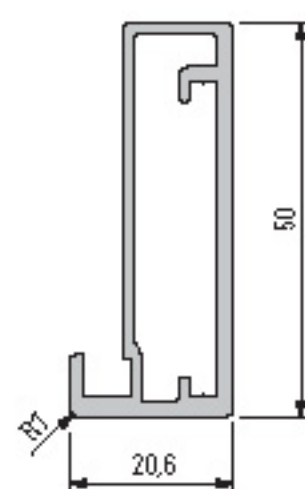
Dust seal 650 058.02
 For profile 923 088



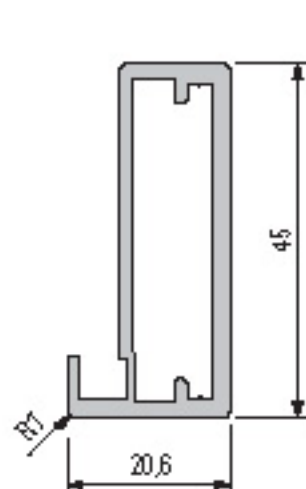
Profile 923 087



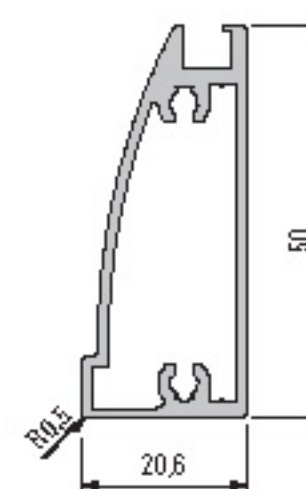
Profile 923 088



Profile 923 051



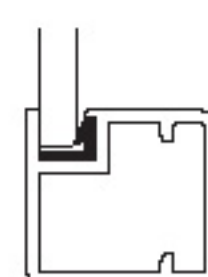
Profile 901 070



Profile 901 073



Sleeve for hole for handle 550 341



PVC-U profile 532 917
 Anti-rattle protection